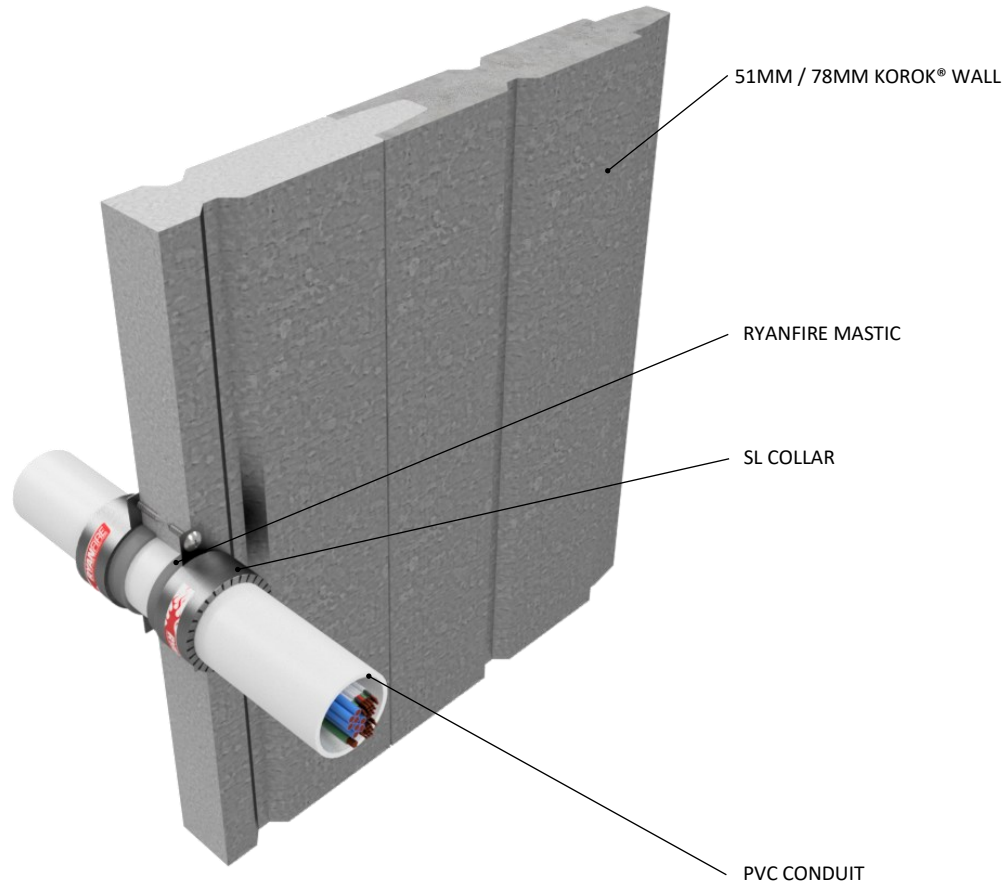


INSTALLATION INSTRUCTIONS

1. ENSURE THE APERTURE IS CLEAN AND FREE OF DUST AND DEBRIS.
2. APPLY A NOMINAL 5MM BEAD OF RYANFIRE MASTIC INTO THE ANNULAR GAP BETWEEN THE CONDUIT AND THE KOROK® WALL.
3. SELECT THE CORRECT SIZE RYANFIRE SL COLLAR TO FIT AROUND THE CONDUIT.
4. SECURE THE SL COLLAR AROUND THE CONDUIT AND SLIDE IT AGAINST THE SURFACE OF THE WALL. FIX THE COLLAR INTO THE WALL WITH 12G X 30MM TEK SCREWS.
5. CLEAN ANY EXCESS MASTIC WITH A DAMP CLOTH.
6. REPEAT THIS PROCESS ON THE OPPOSITE SIDE OF THE WALL.



Products: RYANFIRE SL COLLAR
RYANFIRE MASTIC
Approvals: AS 1530.4:2014/AS 4072.1:2005
BK: 357
Ref: 25SFR00064
ID: G, H

Scenario: Penetration seal to PVC cable conduit

Services: Up to Ø50mm PVC conduit with mixed cable bundle : TPS, Data

Annular: 0 - 3mm

Construction: 78mm KOROK® wall

Fire Resistance:

Size	FRR
Ø25mm	-/120/90
Ø50mm	-/120/120

Web based drawings are for example only. Fire performance of any system is dependant on, but not limited to size of opening, substrate, if penetrations are passing through, type, size and number. Please refer to Ryanfire technical department for detailed and specific fire performance information.



RYANFIRE Technical Support:
info@ryanfire.co.nz - Tel 09 443 0362

Drawing Title
SL Collar to PVC conduit
78mm KOROK® wall

Scale NTS	Date June 2026
---------------------	--------------------------

Drawing Number V33.19	Rev 1.0
---------------------------------	-------------------

All errors and omissions excepted. The information contained within this drawing is believed to be correct on the date of publication, and is based upon tested and certified solutions. The policy of Ryanfire Products is one of constant improvement. Installers must ensure that they are following the latest published drawings, test evidence and instructions. Whilst Ryanfire Products will endeavour to keep its publications up to date, the accuracy of the information contained within this drawing may be affected by pertinent changes in the law or regulatory requirements and alterations or amendments to the specification of the manufactured products. Terms and conditions of sale apply.

Ryanfire Products owns and has copyright to these drawings. They are to be used only for the purpose for which they were intended and supplied and are not to be sold, transferred or made available for use by a third party. Any misuse of these drawings will result in legal proceedings.