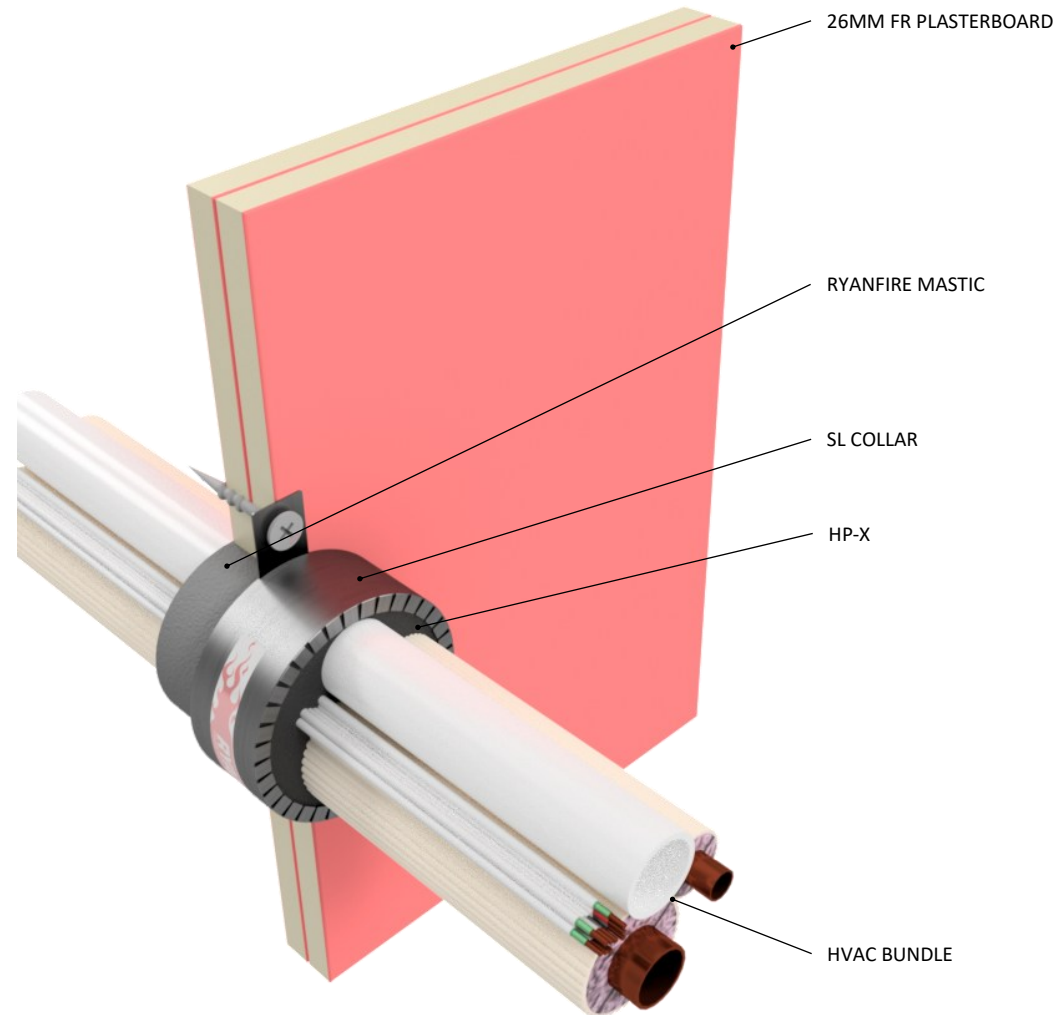


ONE WAY SEAL - ASYMMETRICAL

INSTALLATION INSTRUCTIONS

1. ENSURE THE APERTURE IS CLEAN AND FREE OF DUST AND DEBRIS.
2. APPLY RYANFIRE MASTIC INTO THE ANNULAR GAP BETWEEN THE HVAC BUNDLE AND THE PLASTERBOARD, TO THE FULL DEPTH OF THE PLASTERBOARD.
3. SELECT THE RYANFIRE SL 65 COLLAR TO FIT AROUND THE CABLE BUNDLE.
4. FIT THE COLLAR AROUND THE PENETRATION AND SLIDE IT UP AGAINST THE WALL.
5. SECURE THE COLLAR INTO PLACE USING 8G X 32MM PLASTERBOARD SCREWS. ENSURE ALL FIXING POINTS ARE USED.
6. APPLY RYANFIRE HP-X INTO THE ANNULAR GAP BETWEEN THE PENETRATION AND THE COLLAR, TO THE FULL DEPTH OF THE COLLAR.
7. CLEAN ANY EXCESS SEALANT WITH A DAMP CLOTH.



Products:	RYANFIRE SL COLLAR RYANFIRE MASTIC RYANFIRE HP-X
Approval:	AS 1530.4:2014/AS 4072.1:2005
BK:	344
Ref:	255FR00042
ID:	A
Scenario:	One way penetration seal to HVAC bundle (heat pump services)
Penetration:	Up to: 1 set pair coil copper pipes 5 TPS cables Ø20mm PVC pipe
Construction:	136mm one way FR plasterboard wall
Fire Integrity:	60 minutes
Fire Insulation:	45 minutes

Web based drawings are for example only. Fire performance of any system is dependant on, but not limited to, size of opening, substrate, if penetrations are passing through, type, size and number. Please refer to Ryanfire technical department for detailed and specific fire performance information.



RYANFIRE Technical Support:
info@ryanfire.co.nz - Tel 09 443 0362

Drawing Title
**SL Collar & HP-X to HVAC bundle
136mm one way plasterboard wall**

Scale	NTS	Date	April 2026
Drawing Number	V14.27	Rev	1.0

All errors and omissions excepted. The information contained within this drawing is believed to be correct on the date of publication, and is based upon tested and certified solutions. The policy of Ryanfire Products is one of constant improvement. Installers must ensure that they are following the latest published drawings, test evidence and instructions. Whilst Ryanfire Products will endeavour to keep its publications up to date, the accuracy of the information contained within this drawing may be affected by pertinent changes in the law or regulatory requirements and alterations or amendments to the specification of the manufactured products. Terms and conditions of sale apply.

Ryanfire Products owns and has copyright to these drawings. They are to be used only for the purpose for which they were intended and supplied and are not to be sold, transferred or made available for use by a third party. Any misuse of these drawings will result in legal proceedings.