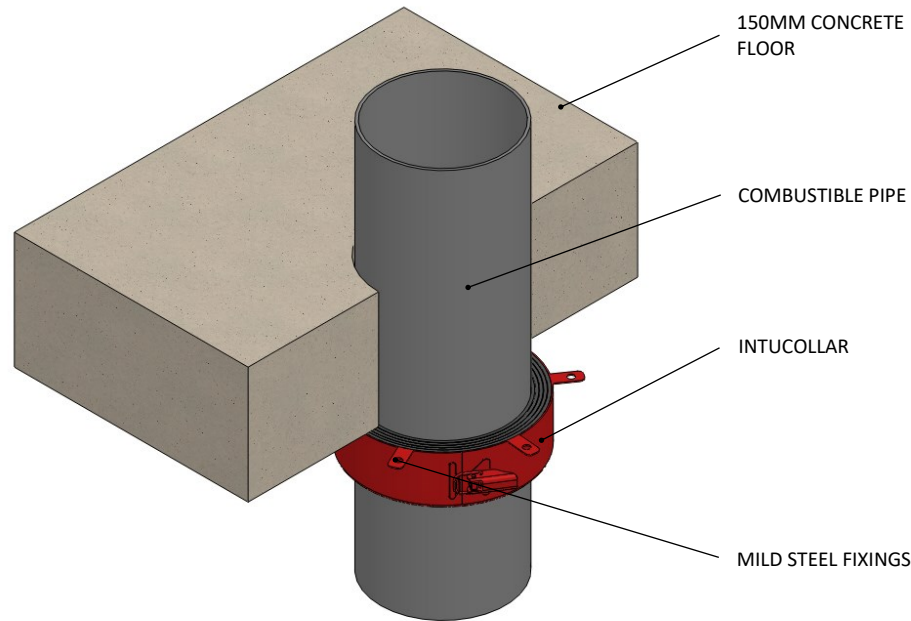


**INSTALLATION INSTRUCTIONS**

1. ENSURE THE APERTURE IS CLEAN AND FREE OF DEBRIS AND LOOSE CEMENT. REMOVE DUST FROM SURFACES REQUIRING INSTALLATION.
2. SELECT CORRECT DIAMETER INTUCOLLAR FOR THE COMBUSTIBLE PENETRATION.
3. APPLY INTUMASTIC AROUND THE PIPE TO SMOKE SEAL THE OPENING - UP TO 10MM WIDE GAP.
4. POSITION THE INTUCOLLAR AROUND THE PENETRATION AND FASTEN AROUND THE PIPE.
5. SLIDE THE COLLAR ALONG THE PIPE UNTIL IT IS HARD UP AGAINST THE UNDERSIDE OF THE CONCRETE FLOOR.
6. FIX WITH SUITABLE MILD STEEL SCREW FIXING THAT PROVIDES A MINIMUM OF 60MM EMBEDMENT IN TO THE SUBSTRATE. ENSURE ALL FIXING POINTS ARE USED.



<b>Products:</b>	<b>FIRETHERM INTUCOLLAR</b>
<b>Approvals:</b>	<b>AS 1530.4/AS 4072.1</b>
<b>BK:</b>	<b>2</b>
<b>Ref:</b>	<b>35256800</b>
<b>ID:</b>	<b>23-32</b>
<b>Scenario:</b>	Penetration seal to combustible pipes
<b>Services:</b>	PVC, HDPE, PPR, & ABS pipes
<b>Construction:</b>	150mm concrete floor
<b>Fire Resistance:</b>	Ø50mm HDPE -/120/120 Ø75mm HDPE -/120/120 Ø110mm HDPE -/120/120 Ø160mm HDPE -/90/90 Ø75mm PPR -/120/120 Ø55mm PVC -/120/120 Ø110mm PVC -/120/120 Ø160mm PVC -/120/120 Ø82mm ABS -/120/120 Ø90mm ABS -/120/120

Web based drawings are for example only. Fire performance of any system is dependant on, but not limited to size of opening, substrate, if penetrations are passing through, type, size and number. Please refer to Ryanfire technical department for detailed and specific fire performance information.



Client

Job Title

Drawing Title  
**Intucollar to Combustible Pipe Penetration - Concrete Floor**

Scale	Date
<b>NTS</b>	<b>September 2021</b>
Sheet Size	Drawn By
<b>A3</b>	
Drawing Number	Rev
<b>V22</b>	<b>3.0</b>

**Please note:**  
 Ryanfire Products Ltd owns and has copyright in these drawings. They are to be used only for the purpose for which they were intended and supplied and are not to be sold, transferred or made available for use by a third party.  
 Any misuse of these drawings will result in legal proceedings.

**All errors and omissions excepted** - the Information contained within this drawing is believed to be correct on the date of publication, and is based upon tested and certified solutions. The policy of **RyanFire Products Ltd** is one of constant improvement. Installers must therefore ensure that they are following the latest published drawings, test evidence and instructions. Whilst **RyanFire Products Ltd** will endeavour to keep its publications up to date, the accuracy of the information contained within this drawing may be affected by pertinent changes in the law or regulatory requirements and alterations or amendments to the specification of the **manufactured** products. Terms and conditions of sale apply.

RYANFIRE Technical Support: info@ryanfire.co.nz - Tel 09 443 0362