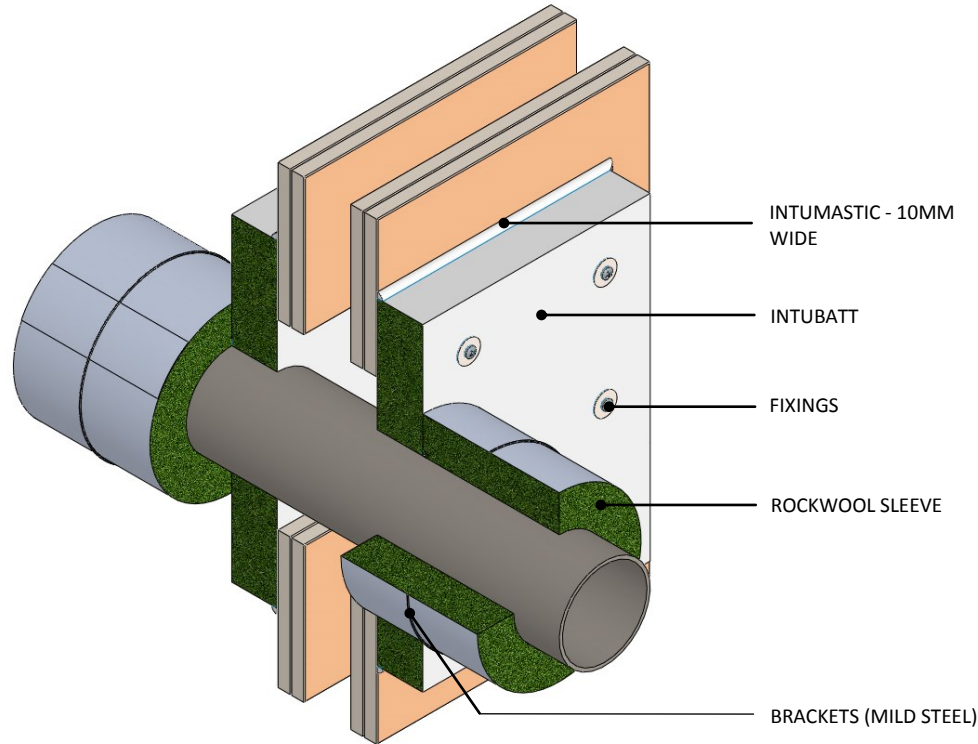


INSTALLATION INSTRUCTIONS

1. ENSURE THE APERTURE IS CLEAN AND FREE OF DEBRIS. REMOVE DUST FROM SURFACES REQUIRING INSTALLATION.
2. CUT THE INTUBATT TO THE REQUIRED SIZE AND SHAPE ENSURING THE INTUBATT WILL OVERLAP THE APERTURE ONTO SOLID SUBSTRATE MIN. 100MM.
3. CUT THE INTUBATT ACROSS THE SHORTEST DIMENSION INCORPORATING THE MIDPOINT OF THE PENETRATION TO ENABLE THE INTUBATT TO BE FITTED OVER THE APERTURE.
4. APPLY INTUMASTIC TO THE BACKSIDE OF THE INTUBATT ENSURING THAT AN EVEN COVERAGE IS ACHIEVED. THIS SHOULD ALSO INCLUDE THE OUTER EDGES OF THE INTUBATT AND THE CUT ACROSS.
5. FIX THE INTUBATT TO THE PLASTERBOARD USING MINIMUM 75MM LONG STEEL SCREWS AND 25MM DIAMETER STEEL WASHERS. FIXINGS SHOULD NOT EXCEED 50MM FROM ANY EDGE AND NOT EXCEED 200MM CENTRES.
6. APPLY A FILLET OF INTUMASTIC APPROXIMATELY 10MM WIDE TO THE PERIMETER OF THE INTUBATT AND PIPE. ENSURE THAT ALL GAPS BETWEEN THE INTUBATT AND THE SURROUNDING EDGES ARE FULLY FILLED.
7. REPAIR ANY DAMAGE THAT MAY HAVE OCCURRED TO THE COATING DURING INSTALLATION USING INTUMASTIC.
8. WRAP THE PIPE WITH ROCKWOOL SLEEVING (90KG/M3 DENSITY X 40MM THICKNESS) TO FORM A 600MM SLEEVE FROM THE FACE OF THE INTUBATT. FASTEN WITH FOIL TAPE AND 4 METAL BRACKETS. REFER TO SEPARATE SLEEVING DRAWING.
9. APPLY A FILLET OF INTUMASTIC AROUND THE PENETRATION. SLIDE SLEEVE ALONG THE PIPE ABUTTING THE INTUBATT.
10. REPEAT THE ABOVE TO THE OPPOSITE SIDE OF WALL.



Please note:
 Ryanfire Products Ltd owns and has copyright in these drawings. They are to be used only for the purpose for which they were intended and supplied and are not to be sold, transferred or made available for use by a third party.

Any misuse of these drawings will result in legal proceedings.

All errors and omissions excepted - the Information contained within this drawing is believed to be correct on the date of publication, and is based upon tested and certified solutions. The policy of **RyanFire Products Ltd** is one of constant improvement. Installers must therefore ensure that they are following the latest published drawings, test evidence and instructions. Whilst **RyanFire Products Ltd** will endeavour to keep its publications up to date, the accuracy of the information contained within this drawing may be affected by pertinent changes in the law or regulatory requirements and alterations or amendments to the specification of the **manufactured** products. Terms and conditions of sale apply.

RYANFIRE Technical Support: info@ryanfire.co.nz - Tel 09 443 0362

Notes

Products: INTUBATT, INTUMASTIC & ROCKWOOL SLEEVE

Approval: AS 1530.4/AS4072

BK: 1

Ref: 35084000

ID: 7

Scenario: Penetration seal to non-combustible pipes.

Construction: Fire rated plasterboard/masonry wall.

Void Size: Up to 1000mm x 400mm.

Fire Integrity: 120 minutes.

Insulation: 120 minutes.

Recommendation: Apply 4 x metal clamp/straps at an equal distance from the face of the Intubatt around the rockwool sleeve to provide additional support. Rockwool sleeve must be installed around the penetration forming a 600mm long sleeve from the face of the Intubatt.

Web based drawings are for example only. Fire performance of any system is dependant on, but not limited to, size of opening, substrate, if penetrations are passing through, type, size and number. Please refer to Ryanfire technical department for detailed and specific fire performance information.



Client

Job Title

Drawing Title

Metal Pipe Penetration - FR Plasterboard Wall

Scale NTS	Date June 2019
Sheet Size A3	Drawn By
Drawing Number V8	Rev 2.0