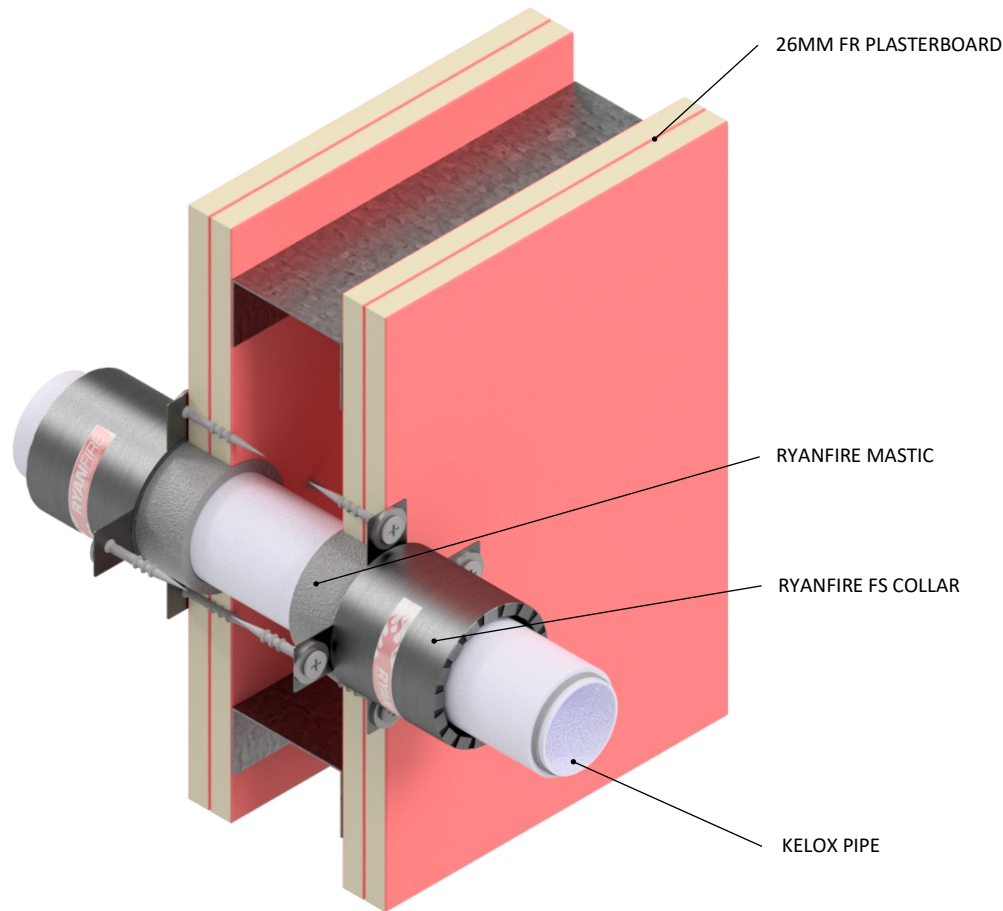


INSTALLATION INSTRUCTIONS

1. ENSURE THE APERTURE IS CLEAN AND FREE OF DUST AND DEBRIS.
2. APPLY RYANFIRE MASTIC INTO THE ANNULAR GAP BETWEEN THE KELOX PIPE AND THE PLASTERBOARD WALL, TO THE FULL DEPTH OF THE PLASTERBOARD (26MM)
3. SELECT THE CORRECT SIZE FS COLLAR TO FIT AROUND THE PIPE.
4. FIX THE COLLAR AROUND THE PIPE AND SLIDE IT UP TO THE FACE OF THE PLASTERBOARD WALL. FIX THE COLLAR INTO THE PLASTERBOARD WALL USING 75MM DRYWALL SCREWS AND PENNY WASHERS. ENSURE ALL FIXING POINTS ARE USED.
5. REPEAT THIS PROCESS ON THE OPPOSITE SIDE OF THE WALL.



Products:	RYANFIRE FS COLLAR RYANFIRE MASTIC
Approvals:	AS 1530.4/AS 4072.1
BK:	58
Ref:	FRT 190080.2
ID:	Q, S
Scenario:	Penetration seal to KELOX pipes
Services:	Up to Ø50mm KELOX pipes
Construction:	116mm thick FR Plasterboard / Masonry wall
Fire Integrity:	120 minutes } Up to Ø16mm
Fire Insulation:	120 minutes }
Fire Integrity:	30 minutes } Up to Ø50mm
Fire Insulation:	30 minutes }

Web based drawings are for example only. Fire performance of any system is dependant on, but not limited to size of opening, substrate, if penetrations are passing through, type, size and number. Please refer to Ryanfire technical department for detailed and specific fire performance information.



Client

Job Title

Drawing Title
**Ryanfire FS Collar to KELOX pipe
116mm plasterboard wall**

Scale	NTS	Date	July 2024
Sheet Size	A3	Drawn By	
Drawing Number	V21.22	Rev	2.0

Please note:
Ryanfire Products owns and has copyright in these drawings. They are to be used only for the purpose for which they were intended and supplied and are not to be sold, transferred or made available for use by a third party.

Any misuse of these drawings will result in legal proceedings.

All errors and omissions excepted - the Information contained within this drawing is believed to be correct on the date of publication, and is based upon tested and certified solutions. The policy of **RyanFire Products** is one of constant improvement. Installers must therefore ensure that they are following the latest published drawings, test evidence and instructions. Whilst **RyanFire Products** will endeavour to keep its publications up to date, the accuracy of the information contained within this drawing may be affected by pertinent changes in the law or regulatory requirements and alterations or amendments to the specification of the **manufactured** products. Terms and conditions of sale apply.

RYANFIRE Technical Support: info@ryanfire.co.nz - Tel 09 443 0362